

# DEAD PUP TRAILERS MODELS SP2A, SP3A & AP2A, AP3A



Tel: 800.285.0666 | sales@wastequip.com  
www.galbreathproducts.com



SP2A shown w/ diamond plate toolbox and polished aluminum wheel options.



SP3A shown with polished aluminum wheels and special paint options.

(\*note – trailer tongue not installed for shipping)

## SP/AP “Dead” Pup Trailers

are non-hydraulic equipped and therefore require the driver to utilize the truck’s hoist to load/unload these trailers. These trailers are ideal for longer hauling routes when used in conjunction with a roll off or hook lift truck. “Dead” pups are available in either (SP) spring or (AP) air ride suspensions.

» **2-axle models 40,000 lb. capacity (18’ to 22’ containers)**

» **3-axle models 60,000 lb. capacity (20’ to 24’ containers)**

## Standard Features

### Ease of Operation

- 10 foot trailer tongue assembly
- Tie downs consist of two winches with straps and chains on the front and one winch with strap and an oval shaped ring on the rear and two winches with straps on each side
- Tool box: 18” x 18” x 48” steel, painted black

### Safety

- Air operated back up lock out pin, push pull valve on trailer
- Brakes are 16 ½” x 7” air with automatic slack adjusters and ABS with 30/30 brake chambers
- LED lights
- 5/8” safety chains and 5/8” hooks on trailer tongue

### Durability

- Steel is sand blasted, two part epoxy primed and painted acrylic enamel black (other colors available)
- Warranty (1-year parts and labor)
- High strength A992 & A-36 steel
- Hutch suspension with (2 or 3) 25,000 lb. axles
- Turntable, double ball bearing type, with remote grease zerks mounted on front of bulkhead for turntable and locking pin

### Quality

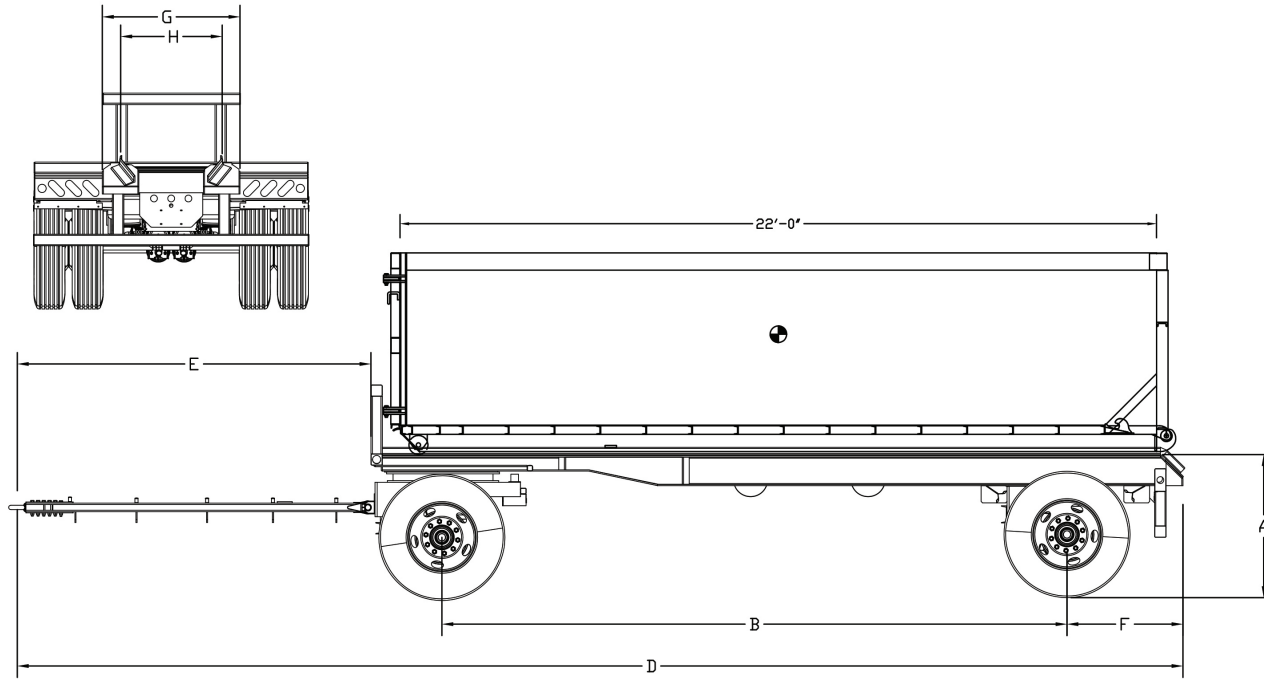
- Guide channel on rails, ½” x 3” x 4” angle, full length of top flange. 35 ½” outside to outside
- Lights and wiring meet FMVSS108 guidelines
- 10 hole hub piloted steel wheels painted white with 255 / 70R-22.5 tires

## Available Options

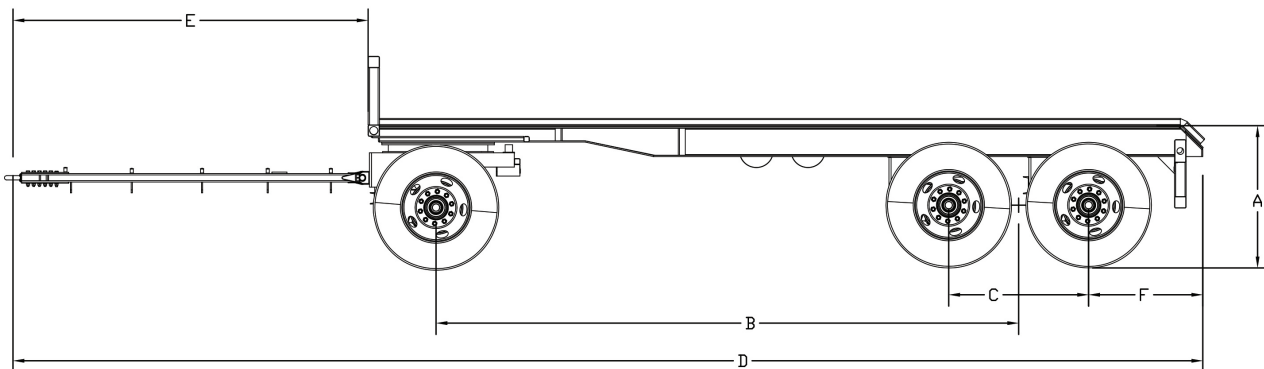
- Air ride suspension (AP2A or AP3A models)
- Trailer capacities from 40,000 to 60,000 lbs.
- Toolboxes
- Tires and rims (brands/sizes)
- Tarping systems

# DEAD PUP TRAILERS MODELS SP2A, SP3A & AP2A, AP3A

**SP/AP2A**  
(figure 1)



**SP/AP3A**  
(figure 2)



FEATURES	
Trailer frame	Main frame constructed with wide flange beams from A992 steel (yield strength – 50,000 psi)
Trailer suspension	Hutch spring/air suspension with (2 or 3) 25,000 lb. axles (SP= spring, AP= air)
Tires and rims	(8 or 12) 255 / 70 R22.5 tires on 10 hole hub piloted, steel rims painted white
Front stop	Heavy duty 4"x 48"x 24" top post fence rail
Hold downs	2 winches with straps and chains on front, 1 winch with strap and an oval shaped ring at rear, and 2 winches with straps on each side

Specifications	SP/AP2A	SP/AP3A
Recommended container size	18' - 22'	20' - 24'
Rated trailer capacity (GVWR)	40,000 lbs.	60,000 lbs.
A - Deck height (ground to container sill)	45"	45"
B - Axle spacing (center to center or to trunnion)	218 3/8"	204 1/16"
C - Tandem axle spread	n/a	49"
D - Overall trailer length	406 3/4"	416 3/4"
E - Tongue length	123 3/8"	124 3/8"
F - After frame length	40 7/16"	40"
G - Inside rail width	35 3/8"	35 3/8"
H - Outside rail width	48"	48"
Approx. weight with standard features	SP: 7,300 lbs. AP: 8,040 lbs.	SP: 9,000 lbs. AP: 10,310 lbs.



Tel: 800.285.0666 | [sales@wastequip.com](mailto:sales@wastequip.com)  
[www.galbreathproducts.com](http://www.galbreathproducts.com)



Galbreath is a Wastequip brand. Wastequip is the leading North American manufacturer of waste and recycling equipment for collecting, processing and transporting recyclables and solid or liquid waste.  
© Wastequip 2017 All rights reserved. Specifications subject to improvement without notice. Equipment displayed should be operated by properly trained personnel. Operators should become familiar with OSHA, ANSI and any other applicable standards or laws for using this equipment. Improper use, misuse, or lack of maintenance could cause injury to people and/or property. Photos used in the literature are illustrative only. We assume no liability or responsibility for proper training/operation of equipment not manufactured by Wastequip. We reserve the right to make changes at any time without notice. Information contained within this literature is intended to be the most accurate available at time of printing.

GAL074-042025