



Tel: 800.285.0666 | sales@wastequip.com
www.galbreathproducts.com

A5-SERIES

A5-SERIES ROLL OFF TRAILERS

MODELS: A5-330, 366 & 402

RAIL TYPES: OR, IO, HH, EX, EX/HH

TANDEM AXLE: 75,000 - 78,500 lb. GVWR

20' to 39' recommended container lengths

A5-Series Roll Off Trailers are the work horses of the scrap and recycling industries. The trailer frames are high strength manufactured I-beam construction. Tough and durable, the Galbreath A5 roll off trailers will last for a long time and retain their value. They can be made in the industry standard (OR-outside rail), (IO-inside/outside rail), (HH-deadlift narrow rail), (EX-outside rail extendable tail) and or (EX/HH-narrow outside rail extendable tail).



Standard Features

FEATURES	A5-SERIES TRAILERS
Hoist main frame	10" x 4" x 1/2" A500 grade C tubing (3/8" on Ext. Tail Models)
Cross Members	8" x 4" A500 grade C tubing
Trailer Frame	36 lb. W.F. - 19 1/2" I-Beam A36 Steel & C-Channel Cross Members
Cross Members	A36 Steel 17" Formed C-Channel Cross Members
Hydraulic valve	2 or 3 spool / 45 GPM w/ safety bypass
Lift cylinders	(2) 3-stage DAT Telescopic
Winch cylinders	(2) DA Rod Type
Hinge shaft	2 1/2" Solid Steel
Cable	7/8" EXIWRC (Domestic) Steel Cable
Cable Ends	Swivel Eye cable end (OR, IO, EX, EX/HH) - Knuckle (HH, EH)
Cable sheaves	10" Grease Grooved
Cable anchors	(4) Cable Clamps
Front stops	1 1/2" Steel Plate
Front safety lock	Automatic Spring Loaded Pass Over Front Container Safety Lock(s)
Rear hold downs	1" Steel Plate Stationary Rear Container Hold Downs
Outside rollers	4" O.D. w/ Bronze Bushings
Inside Rail	3/4" - 2" Steel Bar (IO models only); 3/8" T1 Wear Strips on all ext. tail models
Tail	Fixed tail (OR, IO, HH models); 80" ext. tail (EX, EX/HH models)
ICC bumper	Auto Fold Mechanical w/ Energy Absorbtion (not required on EX, EX/HH & HH models)
Suspension	50k lb. rated Hutch Single Point Spring Ride w/ 25k lb. axles
Wheels & Tires	10-Hole Hub Piloted Steel Rims w/ 11R/22.5 16 Ply Tires w/ Wheel Check Indicators
Brakes	Drum Brake Axles and Equipped w/ Spring Loaded Brake Controller
Landing Gear	Twin Leg Holland Manual Landing Gear 50k lb. lift capacity
Operating pressure	1,850 PSI Minimum
*Hydraulic pump	37.5 GPM @ 1,500 RPM (required) Minimum
*Oil reservoir	65 gallons (required) Minimum

*Item Not Included - specification requirement for proper operation



Automatic Spring Loaded Pass Over Front Container Safety Lock



Forward Mount Telescopic Lift Cylinders



4" O.D. side rollers w/ bronze bushings



HD rear hinge with full length bumper complete w/ LED lighting



Auto folding mechanical ICC bumper with rear impact energy absorption



Manual controls mounted to front fender on driver's side



Dual Safety/Maintenance Props



Mid-Body LED Turn Signals & ABS Brake Indicator Light on Driver's Side



7-Wire Electric Trailer Plug Connection; 5-Wire Electric Pig Tail Connection; Turn Lock Quick Disconnect Air Lines; 1 1/4" Return Line w/ Quick Disconnect Threaded Male End; 1" Pressure Line w/ Quick Disconnect Threaded Female End



50k lb. Lift / 140k lb. vertical load twin leg manual landing gear



HH & EH model rear tail roller assembly



Dual winch cylinder reeving system with rod protectors



10-Hole Hub Piloted Steel Rims w/ 11R/22.5 Tires - 16 Ply & Wheel Check Indicators

A5-SERIES

Optional Features

- Pioneer® Tarping Systems
- Air Ride Suspension
- Auxiliary hydraulic hook ups (single or dual acting to the rear)
- Outside Rail Skid Plates; Full Length or Rear Wing
- Outboard Supported Side Rollers
- Tarp Boxes/Toolboxes in various types and sizes (poly, steel, aluminum)
- Fenders in various types and configurations (poly, steel, aluminum)
- Lift Axles (increases GVWR and helps comply with Bridge Laws)
- Fixed Tri-Axle Suspension
- Side or Under Body Mount spare tire carriers
- Auxiliary Container Stops and Rear Hold Downs
- Various Cable Ends
- Scale Systems
- Additional trailer models can be made to suit specific needs and requirements



Pioneer® tarping systems



Auxiliary Front Stops



Outside Rail Skid Plates; Full Length or Rear Wing



Spare Tire Carriers: (Side Mount or Under Body)



Lift Axles



Toolbox styles and sizes (steel, aluminum & poly)



Rear Ratchet Container Hold Downs



Air Ride Suspension



Fenders in various types and configurations (poly, steel, aluminum)

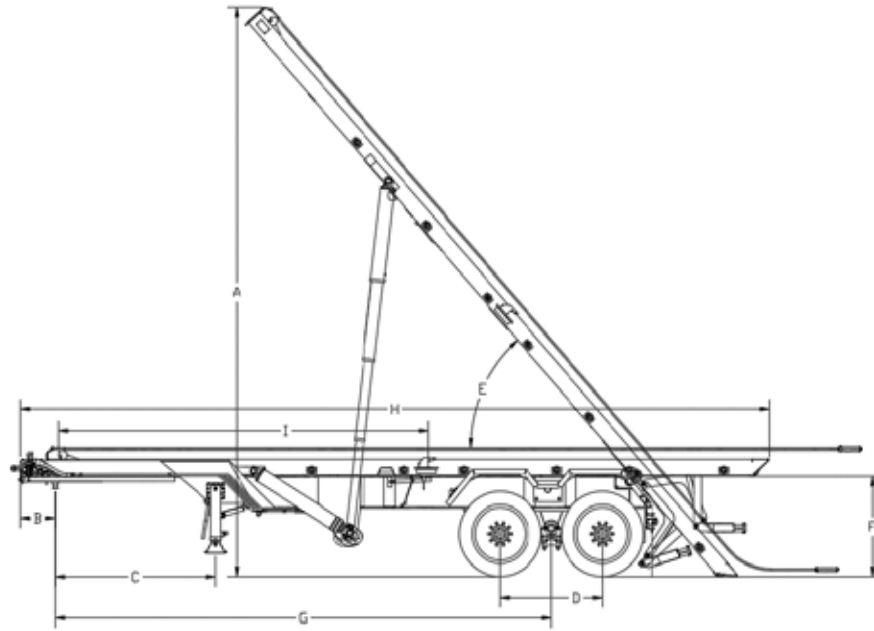


Additional LED Work Lighting (front and rear)

A5-HH-366 shown with a Side mount tire carrier, Lift axle, Steel contoured tri-axle fenders and Ratchet hold downs options



A5-SERIES



Notes for chart above:

- 1) When recommending container lengths, weight distribution, fender interference and overhang are factors. Please consult your local ordinances when determining the model of hoist needed to suit your container needs.
- 2) Factory tested with recommended container length and water level load.
- 3) Frame Height = top of trailer frame to ground. Using 22.5" tires only. For larger tires, consult engineering for clearance.
- 4) GVWR can vary based on Tractor wheel base - For these models a tractor with a 205"WB was used. For optimum payload and weight distribution please consult engineering.
- 5) Reference "Container Understructure" sheet at rear of brochure for ANSI compliant fixed hold down location specifications.

Models

	A5-OR-330	A5-IO-330	A5-HH-330	A5-OR-366	A5-IO-366	A5-HH-366
FEATURE	TANDEM AXLE	TANDEM AXLE	TANDEM AXLE	TANDEM AXLE	TANDEM AXLE	TANDEM AXLE
Recommended Container Size ¹	20' to 32'	20' to 32'	20' to 29'	24' to 36'	24' to 36'	24' to 32'
Gross Vehicle Weight Restricted (GVWR) ⁴	75,000 lbs.	75,000 lbs.	75,000 lbs.	76,500 lbs.	76,500 lbs.	76,500 lbs.
Rated Hoist Capacity ²	60,000 lbs.	60,000 lbs.	50,000 lbs.	60,000 lbs.	60,000 lbs.	50,000 lbs.
Overall Trailer Length (tail retracted)	447"	446"	380"	483"	483"	416"
A – Raised Hoist Height from Ground ³	300"	301"	303"	326"	326"	331"
B – King Pin setting	18"	18"	18"	18"	18"	18"
C – King Pin to Jack Leg	87"	87"	87"	87"	87"	87"
D – Axle spread	53"	53"	53"	53"	53"	53"
E – Raised Dump Angle ³	45°	45°	45°	45°	45°	45°
E1 – Load Angle ³	-	-	-	-	-	-
F – Hoist Frame Height from Ground ³	64"	64"	64"	64"	64"	64"
G – King Pin to Trunnion	303"	303"	303"	339"	339"	339"
H – Hoist Length	423"	422"	356"	459"	459"	393"
Hoist Length w/ Tail Extended				"	"	"
I – Front Stop to Rear Hold Down ⁵	192"	192"	192"	192"	192"	153"
Lift Cylinders (forward mount) 3-stage telescopic	6-5-4 x 118"	6-5-4 x 118"	6-5-4 x 118"	6-5-4 x 136"	6-5-4 x 136"	6-5-4 x 136"
Winch Cylinders (dual reaving)	6.5 x 4.5 x 144"	6.5 x 4.5 x 144"	6.5 x 4.5 x 144"	6 ½" x 4 ½" x 144"	6 ½" x 4 ½" x 144"	6 ½" x 4 ½" x 144"
Extendable Tail Cylinder	-	-	-	-	-	-
Approximate weight with standard features	16,860 lbs.	17,540 lbs.	16,370 lbs.	18,708 lbs.	19,318 lbs.	18,218 lbs.

* Containers that overhang the rear of the trailer's bumper (Fixed ICC or Folding ICC) by more than 24" will require the appropriate flagging to meet DOT requirements *

Models Continued

	A5-EX/HH-366	A5-EX-366	A5-OR-402	A5-IO-402	A5-HH-402
FEATURE	TANDEM AXLE	TANDEM AXLE	TANDEM AXLE	TANDEM AXLE	TANDEM AXLE
Recommended Container Size ¹	24' to 32'	24' to 32'	30' to 39'	30' to 39'	30' to 35'
Gross Vehicle Weight Restricted (GVWR) ⁴	76,500 lbs.	76,500 lbs.	78,500 lbs.	78,500 lbs.	78,500 lbs.
Rated Hoist Capacity ²	60,000 lbs.	60,000 lbs.	60,000 lbs.	60,000 lbs.	50,000 lbs.
Overall Trailer Length (tail retracted)	424"	424"	513"	512"	452"
A – Raised Hoist Height from Ground ³	325"	325"	354"	352"	355"
B – King Pin setting	18"	18"	18"	18"	18"
C – King Pin to Jack Leg	87"	87"	87"	87"	87"
D – Axle spread	53"	53"	53"	53"	53"
E – Raised Dump Angle ³	45°	45°	45°	45°	45°
E1 – Load Angle ³	34°	34°	-	-	-
F – Trailer Frame Height from Ground ³	64"	64"	64"	64"	64"
G – King Pin to Trunnion	339"	339"	375"	375"	375"
H – Hoist Length	401"	401"	489"	488"	429"
Hoist Length w/ Tail Extended	481"	481"	"	"	"
I – Front Stop to Rear Hold Down ⁵	192"	192"	192"	192"	192"
Lift Cylinders (forward mount) 3-stage telescopic	6-5-4 x 136"	6-5-4 x 136" DAT	6-5-4 x 173 ½"	6-5-4 x 173 ½"	6-5-4 x 173 ½"
Winch Cylinders (dual reaving)	6 ½" x 4 ½" x 144"	6 ½" x 4 ½" x 144"	6 ½" x 4 ½" x 144"	6 ½" x 4 ½" x 144"	6 ½" x 4 ½" x 144"
Extendable Tail Cylinder	(1) 3.5" x 2.5" x 80"	(1) 3.5" x 2.5" x 80"	-	-	-
Approximate weight with standard features	19,319 lbs.	19,299 lbs.	19,344 lbs.	19,954 lbs.	18,854 lbs.

* Containers that overhang the rear of the trailer's bumper (Fixed ICC or Folding ICC) by more than 24" will require the appropriate flagging to meet DOT requirements *

Cycle Times @ 1,850 PSI & 37.5 GPM @ 1,500 RPM Minimum	37.5 GPM
Hoist Up -	41 sec.
Hoist Down -	53 sec.
Winch On -	69 sec.
Winch Off -	36 sec.

*A5-OR-402 theoretical times shown. Other models will be slightly faster in the winch and lift functions dependent upon cylinder size and or pump flow.

Minimum Truck Requirements (330, 366 & 402 Models)

Axle Rating: 12,000 Front / 44,000 Rear

Transmission Torque: 261 ft. lbs.

Chassis Frame Section Modulus: 20 cu.in.

Pump: 37.5 GPM @ 1,500 RPM, 2,200 PSI or greater Wet Kit capable

Hydraulic Reservoir: 65 Gallon Reservoir

Hoses: Recommended use with similar hoses or larger to match system.

Hoses from truck/tractor need to support the following hose ends:

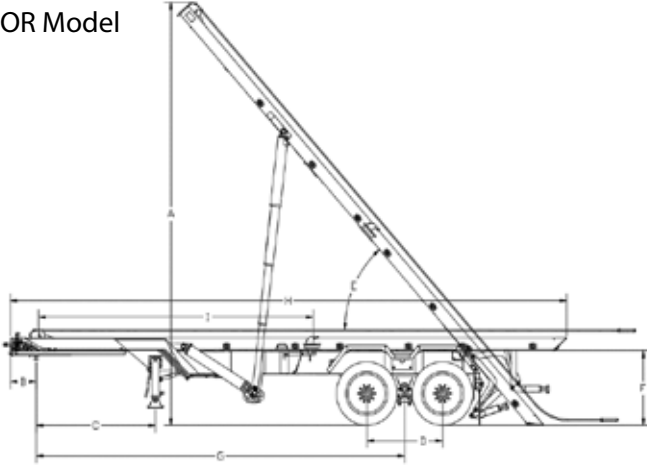
1" female quick disconnect (pressure line) connections must be screw type

1 ¼" male quick disconnect (return line) connections must be screw type

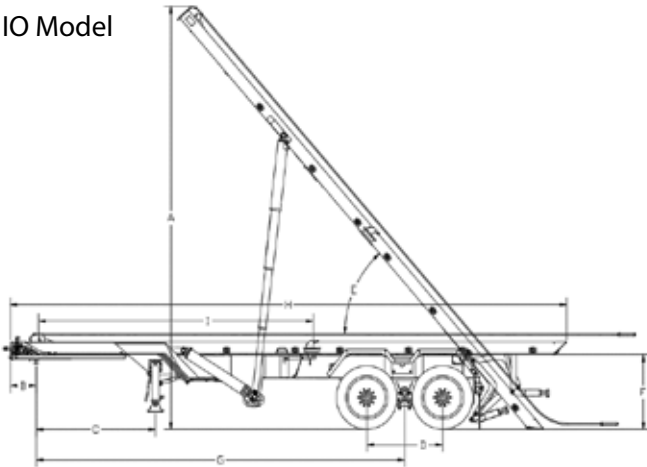
Other Model Types & Configurations

Fixed Tail Models

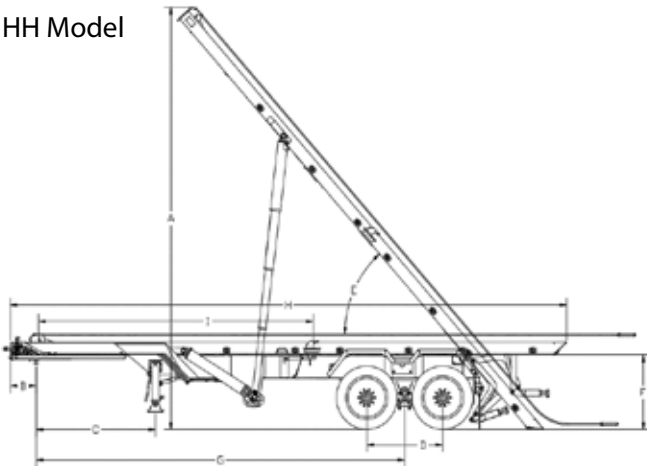
OR Model



IO Model

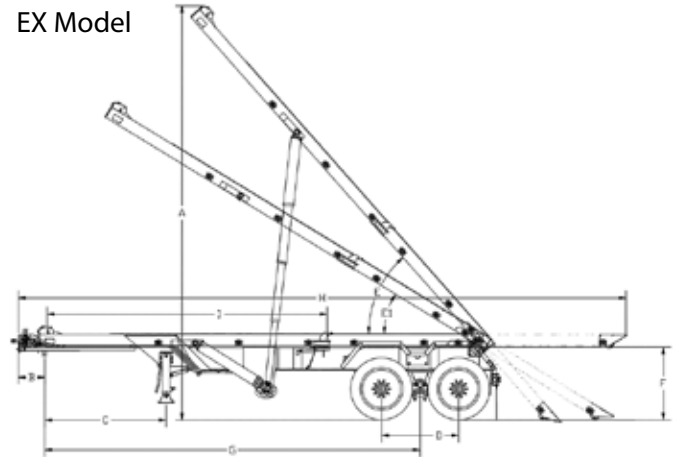


HH Model

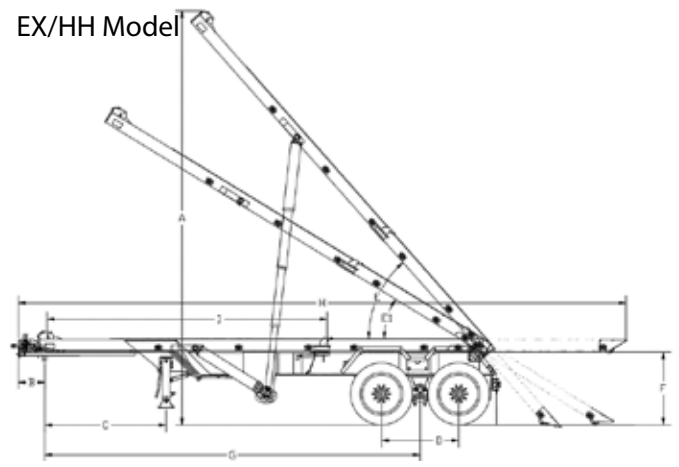


Extendable Tail Models

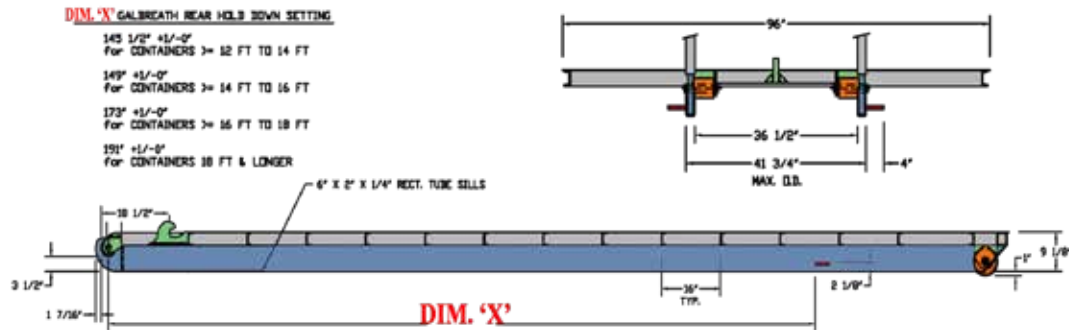
EX Model



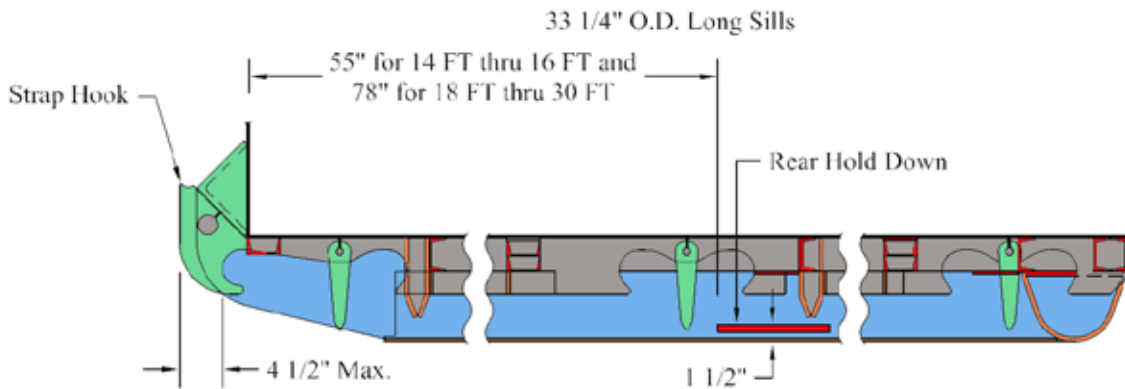
EX/HH Model



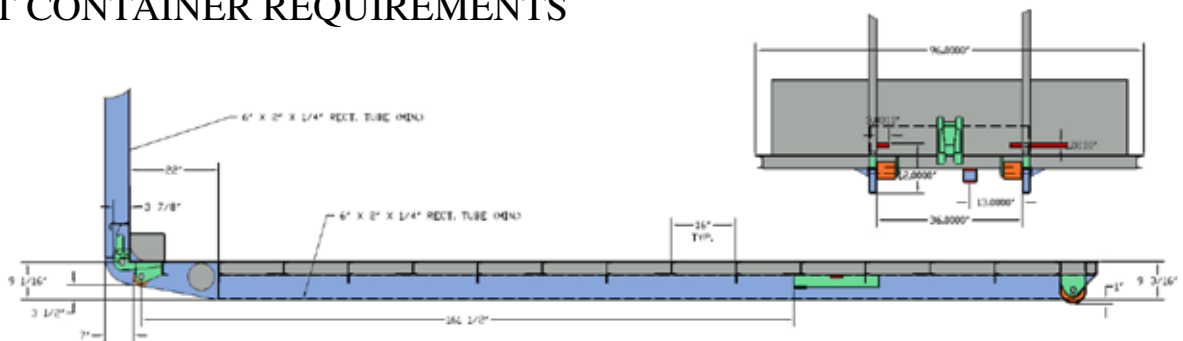
OUTSIDE RAIL CONTAINER REQUIREMENTS



INSIDE RAIL CONTAINER REQUIREMENTS



DEADLIFT CONTAINER REQUIREMENTS



Distributed by:



Galbreath is a Wastequip brand. Wastequip is the leading North American manufacturer of waste and recycling equipment for collecting, processing and transporting recyclables and solid or liquid waste. © Wastequip 2017 All rights reserved. Specifications subject to improvement without notice. Equipment displayed should be operated by properly trained personnel. Operators should become familiar with OSHA, ANSI and any other applicable standards or laws for using this equipment. Improper use, misuse, or lack of maintenance could cause injury to people and/or property. Photos used in the literature are illustrative only. We assume no liability or responsibility for proper training/operation of equipment not manufactured by Wastequip. We reserve the right to make changes at any time without notice. Information contained within this literature is intended to be the most accurate available at time of printing.