

C5-OR-194 ROLL-OFF CABLE HOIST



Tel: 800.285.0666 | sales@wastequip.com
www.galbreathproducts.com

Outside Rail (OR) roll-off cable hoists are among the most popular and versatile available. Galbreath's new C5-OR hoist is specifically designed for the Canadian market.

- » **60,000 lb. capacity**
- » **Tandem or SPIF axle**



Standard Features

Ease of Operation

- Centered cab-mount Power Tower
- Plug n' Play wiring system
- Pintle-ready rear aprons
- Standard inside air control

Safety

- Rear container hold-downs
- Heavy-duty safety props
- Air-assist fold-up ICC bumper
- Backup alarm and hoist up alarm with signal light on dash
- Optional hoist up speed-limiting parameters

All Galbreath products are designed to be compliant with ANSI standard container requirements.

** Factory mount models*

Durability

- 3 micron filtration system with dual viscosity oil
- Heavy-duty rear hinge
- Sub-frames are huck-bolted to chassis*
- Shock-absorbing sub-frame
- Oil reservoir is filter cart ready
- LED lighting
- Lifetime warranty on frame and two-year warranty on hydraulics

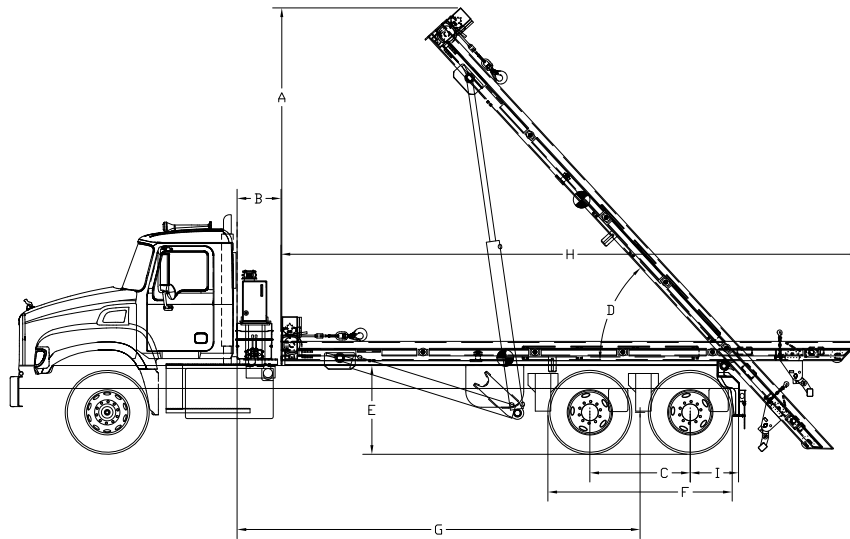
Quality

- Stringent, multi-year product testing, engineering, solid modeling, and stress analysis testing ensure maximum product quality
- Customized engineering layouts based on customers' chassis ensure compatibility

Available Options

- Pintle hook applications
- Various fender options
- Auxiliary hydraulic hook-ups
- Scale systems
- Pioneer Rack 'n Pinion tarping systems
- Lift axles
- Additional hydraulics
- Special safety lighting with strobes

C5-OR-194 CABLE HOIST



FEATURE	TANDEM AXLE
Recommended container size ¹	20-24'
Rated capacity ²	60,000 lbs.
A - Height above truck frame ³	185"
B - Back of Cab to Hoist ⁴	22"
C - Axle spread	51-60"
D - Raised dump angle	47°
E - Top of truck frame to ground ^{3, 5, 6}	46"
F - Tire OD to OD	96"
G - Clear Cab to Trunnion (CT) (includes behind the cab tank on tarper mounting platform and Pioneer Rack'n Pinion tarper)	208"
H - Hoist length	299-1/2"
I - After frame	25"
Lift cylinders DA = double acting	6" x 4" x 72" DA
Lift cylinders shaft	2-7/8"
Winch cylinders DA = double acting	7" x 3" x 90" DA
Approx. weight (with standard features)	8,245 lbs.
Hoist frame	10" x 4" x 1/2" - A500 Grade C tubing on top of rail
Subframe	3" x 2" x 3/16" - A500 Grade C tubing

FEATURE	TANDEM AXLE
Front stop	2" Canadian style
Hinge shaft	2-1/2" solid steel
Cable anchors	Four (4) cable clamps
Cable end	Safety hook
Rear hold-downs	3/8" chain with grab hook
Operating pressure	1,850 psi
Hydraulic pump	Gear type, 37-1/2 GPM @ 1500 RPM
Hydraulic valve	2 spool / 45 GPM with safety bypass
Oil reservoir	47-gallon with 3 micron filter
Outboard supported rollers	4" O.D. with bronze bearings
Cable sheaves	10" sheave with grease-grooved bronze bushing
Working points	Greasable

TRUCK REQUIREMENTS	
Chassis front axle	18,000 lbs. (minimum) capacity with power steering
Chassis rear axle	44,000 lbs. (minimum) capacity with walking beam suspension
Frame modulus	50,000 psi or more chassis frame - minimum section modulus = 24 in ³
Torque required	383 foot pounds of torque

Notes for charts above:

- 1 When recommending container lengths, weight distribution, fender interference and overhang are factors
- 2 Factory tested with recommended container length and water level load
- 3 Frame = top of truck chassis frame

- 4 Length is 18" if welding oil tank to tarper support, or 24" if unable to weld oil tank to the tarper support
- 5 Use 22.5" tires only; for larger tires, consult representative
- 6 Request additional tail length for spring suspensions higher than 45"



Tel: 877.468.9278 | sales@wastequip.com | www.galbreathproducts.com

Galbreath is a Wastequip brand. Wastequip is the leading North American manufacturer of waste and recycling equipment for collecting, processing and transporting recyclables and solid or liquid waste. © Wastequip 2016. All rights reserved. Specifications subject to improvement without notice. Equipment displayed should be operated by properly trained personnel. Operators should become familiar with OSHA, ANSI and any other applicable standards or laws for using this equipment. Improper use, misuse, or lack of maintenance could cause injury to people and/or property. Photos used in the literature are illustrative only. We assume no liability or responsibility for proper training/operation of equipment not manufactured by Wastequip. We reserve the right to make changes at any time without notice. Information contained within this literature is intended to be the most accurate available at time of printing.