



Tel: 800.285.0666 | sales@wastequip.com
www.galbreathproducts.com

AH-Series

AH-SERIES (ACCURATE) ROLL OFF CABLE HOISTS

MODELS: AH60/AH60T/AH75/AH75T -08-22

RAIL TYPES: OR, IO, EX, OX

Tandem Axle: 60,000-75,000 lb. capacities
18' to 22' recommended container lengths

AH (Accurate Hoist) cable hoists are built to last with heavy-duty components. Featuring interchangeable lift/winch cylinders on all -22 models, the AH models are designed for versatility. There are a variety of different rail types in this product line including industry standard (OR-outside rail), IO (inside/outside rail), EX (outside rail extendable tail), and OX (outside rail extendable tail). These models are built with 8 inch main frames and heavy-duty 2 inch subframes.



Standard Features

- Reverse mount lift cylinders (fwd. mount optional)
- Interchangeable lift & winch cylinders (only available on -22 non-telescopic models)
- Inside air controls mounted in our ergonomic Power Tower featuring Plug And Play™ wiring
- Secondary manual controls mounted outside on driver's side
- Rear wing skid plates w/ Heavy-duty nylon ratchet rear container hold downs
- 3 Micron filtration inside steel tank with dual sight/temp gauge & air breather
- 10" O.D. grease grooved cable sheaves
- Outboard supported 4" O.D. side rollers with bronze bearings
- Automatic pass over front container lock
- T1-steel wear strips on top of main frame rails (IO-models have 3" x 1/2" angle)
- Swivel eye cable end (w/ latch on IO models)
- Auto fold air assist (optional ICC bumper available for EX models)
- Pintle adaptable rear apron & bumper assembly complete w/ DOT approved LED lighting
- LED mid body turn signal lights
- Back-up alarm & hoist up alarm with signal light in cab
- Dual hoist maintenance/safety props
- Warranty: limited lifetime on frame & 2 year limited on hydraulic system
- Customized engineering layouts ensure the best fit for each customer
- Engineered and manufactured in the U.S.

FEATURE	TANDEM AXLE
Hoist main frame	8" x 4" x 1/2" A500 grade C tubing w/ 3/8" T1 wear strip on top of MF
Hoist subframe	3" x 2" x 3/16" (5/16" on 75k lb. models) A500 grade C tubing
Cross members	6" SCH80 steel round tube
Hydraulic pump	Gear type 42 GPM @1,500 RPM
Operating pressure	2,100 PSI
Hydraulic valve	2 spool or 3 spool / 45 GPM w/ safety bypass
Oil reservoir	50 gallon steel tank w/ internal 3 micron return filtration
Lift cylinders	(2) DA rod type - interchangeable w/ winch - only on non-telescopic -22 models
Hinge shaft	2 1/2" solid steel
Winch cylinders	(2) DA rod type - interchangeable w/ lift - only on non-telescopic -22 models
Cable / cable end	7/8" x 71' (6 x 37 XIP IWRC) steel cable w/ swivel cable end
Cable sheaves	10" O.D. w/ grease grooved bushings
Cable anchors	(4) cable clamps
Front stops	1 1/4" steel plate
Front safety lock	Automatic pass over front container safety lock
Rear hold downs	HD nylon ratchet binders w/ hook
Outside rollers	Outboard supported 4" O.D. with bronze bearings
Inside rail	1/2" Angle steel (IO models only)
Inside rail rollers	6" O.D. with bronze bearings (IO models only)
Tails	Fixed tail (OR, IO models); 80" ext. tail (EX models); 48" ext. tail (OX models)
ICC bumper	Auto fold air assist (optional ICC bumper available for EX models)



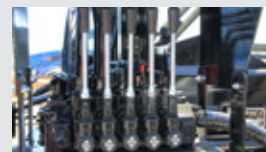
Steel hydraulic tank w/ in tank 3 micron filtration and a dual sight and temperature gauge; competitor's filter on left & Galbreath's on the right



Outboard supported 4" O.D. side rollers w/ bronze bushings



Heavy-duty cast ductile iron rear hinge



Inside air controls in power tower or integrated into center console on cab over trucks w/ in cab hoist up light; Secondary outside manual controls at main control valve



Automatic pass over front container safety lock & 1 1/4" steel front stops



Reverse mount lift cylinders



Pintle adaptable heavy-duty rear apron w/ split bumpers & recessed LED lights



Auto folding air assist ICC bumper



Rear wing skid plates w/ Heavy-duty nylon ratchet rear container hold downs

Available Options

- Pioneer® tarping systems
- Sub-frameless models (10" main frame - standard on AH-10 models)
- Telescopic lift cylinders (standard on AH60T & AH75T models)
- Forward mount lift cylinder orientation
- Tarp and control valve mounting platforms
- Hard plumbing
- Toolboxes in various types and sizes (poly, steel, aluminum)
- Fenders in various types and configurations (poly, steel, aluminum)
- Rear window screen protection
- Lift axles (steer and non-steer)
- Auxiliary hydraulic hook ups and wet kits
- Pintle hooks and towing applications
- Auxiliary container stops and hold downs
- Various cable ends
- Safety and additional LED work lights
- Speed limiting parameters for hoist up and ground speed
- Scale systems
- Backup camera systems



Pioneer® tarping systems



Pintle hooks and wet kits for towing applications



Backup camera systems



LED work lights



Toolboxes in various types and sizes



Fenders in various types and configurations



Lift axles (steer and non-steer)



Tarp/valve mounting platforms

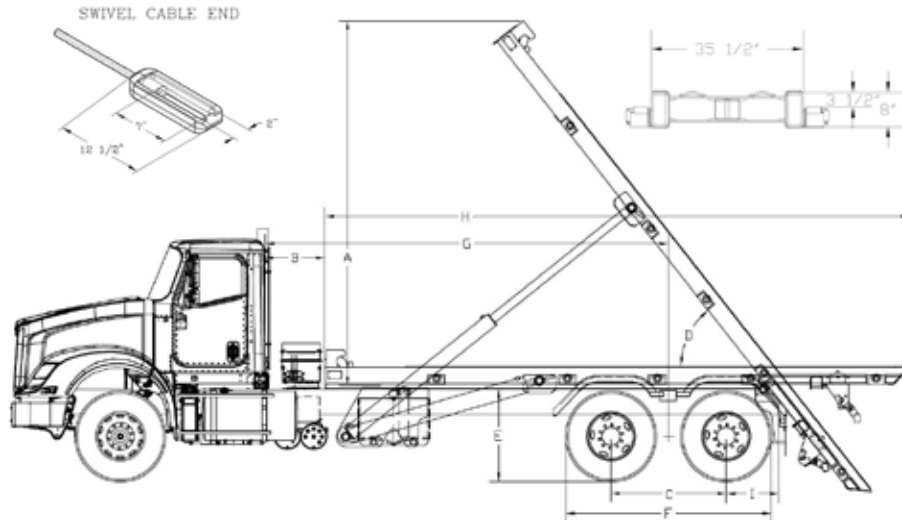


Rear window screen protection

AH75-OR-10-22 shown with a Pioneer® RP4500 SARG tarp system, lift axle, poly fenders and work light options



AH-Series



Notes for chart below

- 1) When recommending container lengths, weight distribution, fender interference and overhang are factors. Please consult your local ordinances when determining the model of hoist needed to suit your container needs.
- 2) Factory tested with recommended container length and water level load.
- 3) Frame Height = top of truck chassis frame to ground. Using 22.5" tires only. For larger tires, consult engineering for clearance.
- 4) This distance allows for a behind the cab (BTC) oil reservoir, tarper platform and or room to add a tarper. This distance is already included in with the CT (G) measurement. Subtract 12" from CT if no tarper platform is needed. Add 4" to the CT if adding a Roll Rite Tarper system.
- 5) Request additional tail length for spring suspensions higher than 45"; see chart 1 for reference.

Models

FEATURE	AH60-OR-08-22	AH60T-OR-08-22	AH75-OR-08-22	AH75T-OR-08-22	AH60-IO-08-22	AH60T-IO-08-22
Recommended Container Size ¹	18' to 22'	18' to 22'	18' to 22'	18' to 22'	18' to 22'	18' to 22'
Rated Hoist Capacity ²	60,000 lbs.	60,000 lbs.	75,000 lbs.	75,000 lbs.	60,000 lbs.	60,000 lbs.
A – Height Above Truck Frame ^{3,5}	163 1/2"	163 1/2"	163 1/2"	163 1/2"	163 1/2"	163 1/2"
B – Back of Cab (BOC) to Hoist ⁴	17"	17"	17"	17"	17"	17"
C – Axle Spread	51" - 60"	51" - 60"	51" - 60"	51" - 60"	51" - 60"	51" - 60"
D – Raised Dump Angle ^{3,5}	51°	51°	51°	51°	51°	51°
D1 – Load Angle ^{3,5}	51°	51°	51°	51°	51°	51°
E – Top of Truck Frame to Ground ^{3,5}	44"	44"	44"	44"	44"	44"
F – Tire OD to OD	101" max	101" max	101" max	101" max	101" max	101" max
G – Cab to Trunnion (CT) ⁴	186"	186"	186"	186"	186"	186"
H – Hoist Length	280"	280"	280"	280"	280"	280"
H1 – Hoist Length w/ Tail Extended	n/a	n/a	n/a	n/a	n/a	n/a
I – After Frame (add 2" for air ride)	25"	25"	25"	25"	25"	25"
Lift Cylinders (reverse mount) ** indicates interchangeable	** 6"x 4"x 79"	6-5-4" x 118"	** 7"x 4"x 79"	6-5-4" x 118"	** 6"x 4"x 79"	6-5-4" x 118"
Winch Cylinders ** indicates interchangeable	** 6"x 4"x 79"	6"x 4"x 79"	** 7"x 4"x 79"	7"x 4"x 79"	** 6"x 4"x 79"	6"x 4"x 79"
Tail Cylinder (extendable tail)	-	-	-	-	-	-
Approximate weight with standard features (ship out weight used; unmounted)	7,905 lbs.	7,797 lbs.	8,285 lbs.	7,987 lbs.	8,405 lbs.	8,297 lbs.

* Containers that overhang the rear of the bumper (Fixed or Folding ICC) by more than 24" will require the appropriate flagging to meet DOT requirements *

Minimum Truck Requirements (Tandem Axle)

Axle Rating: 18,000 Front / 44,000 Rear
Transmission torque: 281 ft. lbs..

*The chart below is an example of how to calculate the chassis section modulus (RBM / PSI = SM). Regardless of the frame YIELD and RBM, the min. SM must be 20 in³ or more per each frame rail.

Truck Channel Ht.	RBM	Yield (PSI)	RBM/PSI = SM in ³
10" or More (single wall)	2,400,000 – 4,500,000	120,000 psi	20 in ³ - 37.5 in ³
10" or More (double wall)	2,400,000 – 4,500,000	100,000 psi	20 in ³ - 40 in ³

Note: The single walled 120k psi with RBM less than 2,400,000 would not be acceptable because its SM would fall below the 20 in³ minimum specification (2,300,000 / 120,000 = 19.17in³). For frames less than 10" consult engineering.

TRUCK FRAME HEIGHT & TAIL LENGTH CHART

Frame Height (Inches)		Measured from center of rear hinge to tail	
MIN.	MAX.	Added Length	Total Length
42"	44.5"	0 inches - Std.	69.75"
45"	47.5"	4"	73.75"
48"	50.5"	8"	77.75"
51"	53.5"	12"	81.75"
54"	56.5"	16"	85.75"

Round to the nearest inch

Chart 1

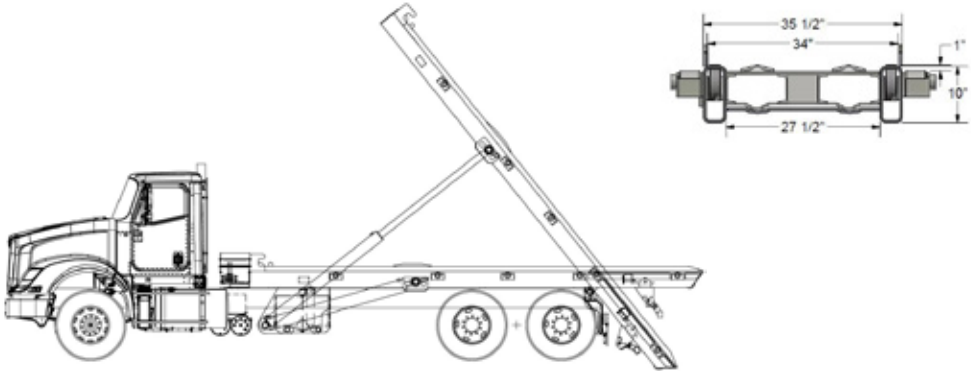
Cycle Times @ @ 2,100 PSI & 1,500 RPM	42 GPM
Hoist Up -	32 sec.
Hoist Down -	18 sec.
Winch On -	32 sec.
Winch Off -	18 sec.

*AH60-22 theoretical times shown, AH60T/AH75T & -24 models will be slightly slower due to cylinder type and or size

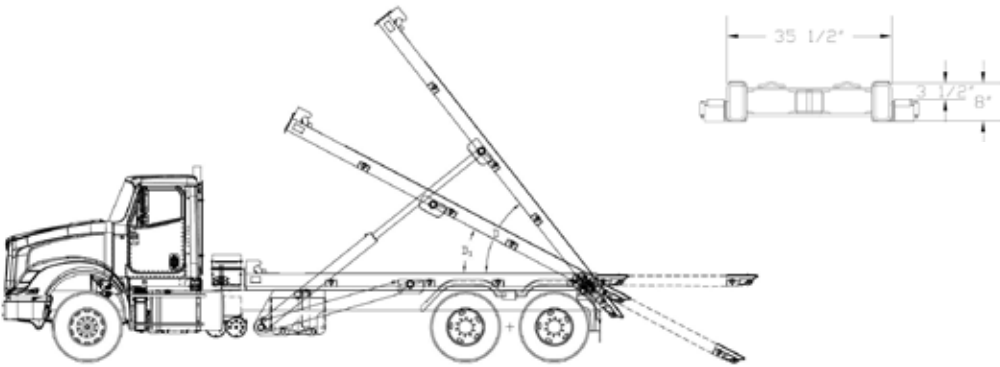
AH75-10-08-22	AH60-EX-08-22	AH60T-EX-08-22	AH75-EX-08-22	AH75T-EX-08-22	AH75-OX-08-22
18' to 22'	18' to 20'	18' to 20'	18' to 20'	18' to 20'	18' to 22'
75,000 lbs.	60,000 lbs.	60,000 lbs.	75,000 lbs.	75,000 lbs.	75,000 lbs.
163 ½"	163 ½"	163 ½"	163 ½"	163 ½"	163 ½"
17"	17"	17"	17"	17"	17"
51" - 60"	51" - 60"	51" - 60"	51" - 60"	51" - 60"	51" - 60"
51°	51°	51°	51°	51°	51°
51°	28°	28°	28°	28°	23°
44"	44"	44"	44"	44"	44"
101" max	101" max	101" max	101" max	101" max	101" max
186"	186"	186"	186"	186"	186"
280"	230"	230"	230"	230"	280"
n/a	310"	310"	310"	310"	328"
25"	25"	25"	25"	25"	25"
** 7"x 4"x 79"	** 6"x 4"x 79"	6-5-4" x 118"	** 7"x 4"x 79"	6-5-4" x 118"	** 7"x 4"x 79"
** 7"x 4"x 79"	** 6"x 4"x 79"	6"x 4"x 79"	** 7"x 4"x 79"	7"x 4"x 79"	** 7"x 4"x 79"
-	3.5" x 2.5" x 80"	3.5" x 2.5" x 80"	3.5" x 2.5" x 80"	3.5" x 2.5" x 80"	3.5" x 2.5" x 60"
8,785 lbs.	8,230 lbs.	8,122 lbs.	8,610 lbs.	8,502 lbs.	8,850 lbs.

Other Model Types & Configurations

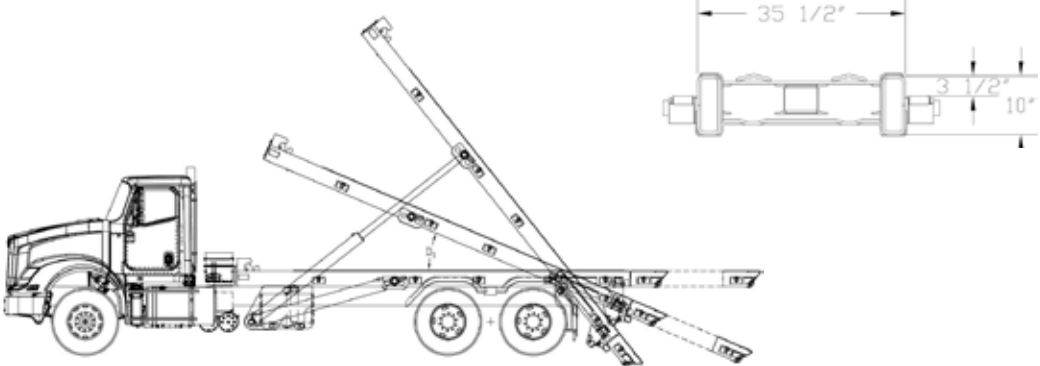
IO-10 Model



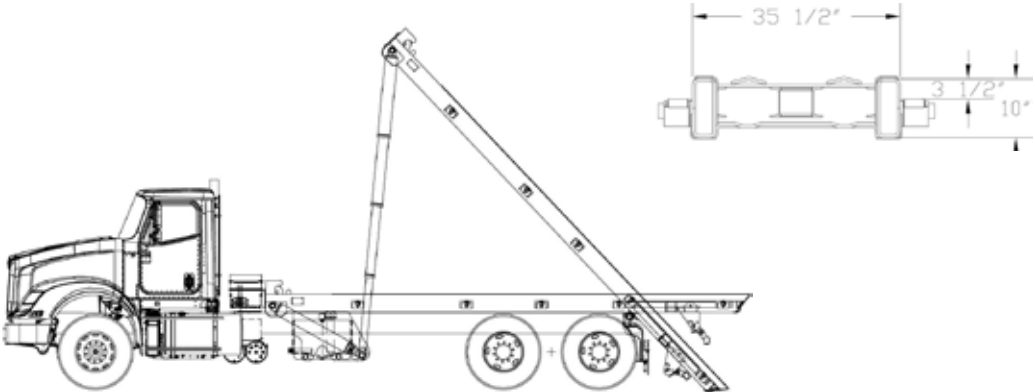
EX-08 Model



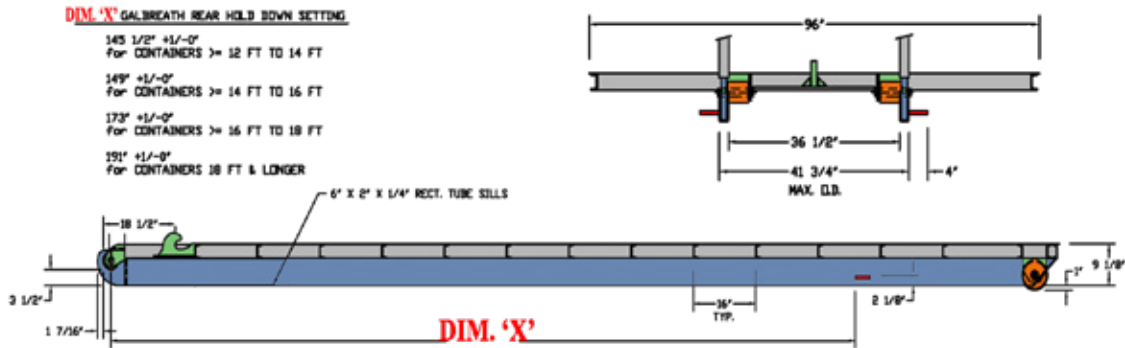
OX-10 Model



AH60T/AH75T-10 Fwd Mount Model

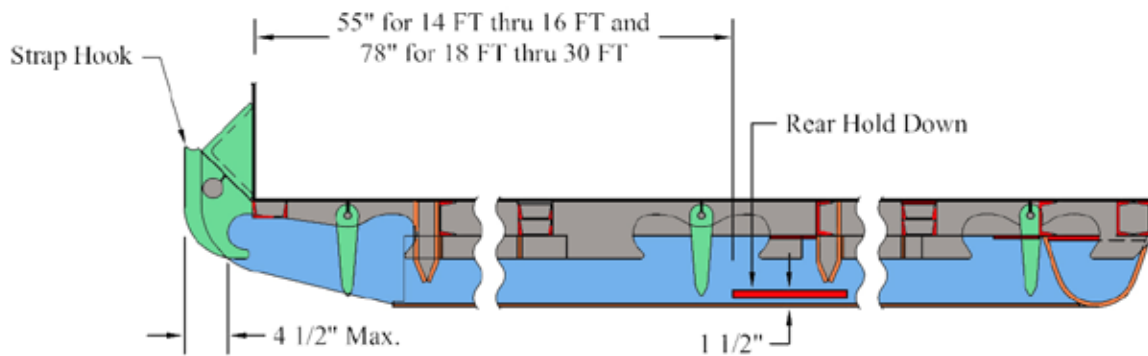


OUTSIDE RAIL CONTAINER REQUIREMENTS



INSIDE RAIL CONTAINER REQUIREMENTS

33 1/4" O.D. Long Sills



Distributed by:



Galbreath is a Wastequip brand. Wastequip is the leading North American manufacturer of waste and recycling equipment for collecting, processing and transporting recyclables and solid or liquid waste. © Wastequip 2017 All rights reserved. Specifications subject to improvement without notice. Equipment displayed should be operated by properly trained personnel. Operators should become familiar with OSHA, ANSI and any other applicable standards or laws for using this equipment. Improper use, misuse, or lack of maintenance could cause injury to people and/or property. Photos used in the literature are illustrative only. We assume no liability or responsibility for proper training/operation of equipment not manufactured by Wastequip. We reserve the right to make changes at any time without notice. Information contained within this literature is intended to be the most accurate available at time of printing.