

AC-OR-416 TRAILER HOIST



Tel: 800.285.0666 | sales@wastequip.com
www.galbreathproducts.com



The **AC-OR-416** trailer hoist is a heavy-duty hoist for use in the scrap industry. Designed to handle punishing loads, it is engineered for durability and long life.

Available Models:
Outside Rail (OR)
Deadlift (HH)
Extendable Tail Deadlift (EH)
Extendable Tail (EX)
Inside/Outside Rail (IO)



Features

- ▶ Designed for hauling scrap and refuse
- ▶ 80,000 lb. manufacturer's rated capacity
- ▶ Handles 18-24' containers
- ▶ Proven Galbreath quality means the hoist is built to last
- ▶ Two outboard lift cylinders provide greater stability
- ▶ Available in OR, IO, EX, HH, and EH models
- ▶ Good return on investment
- ▶ High resell value

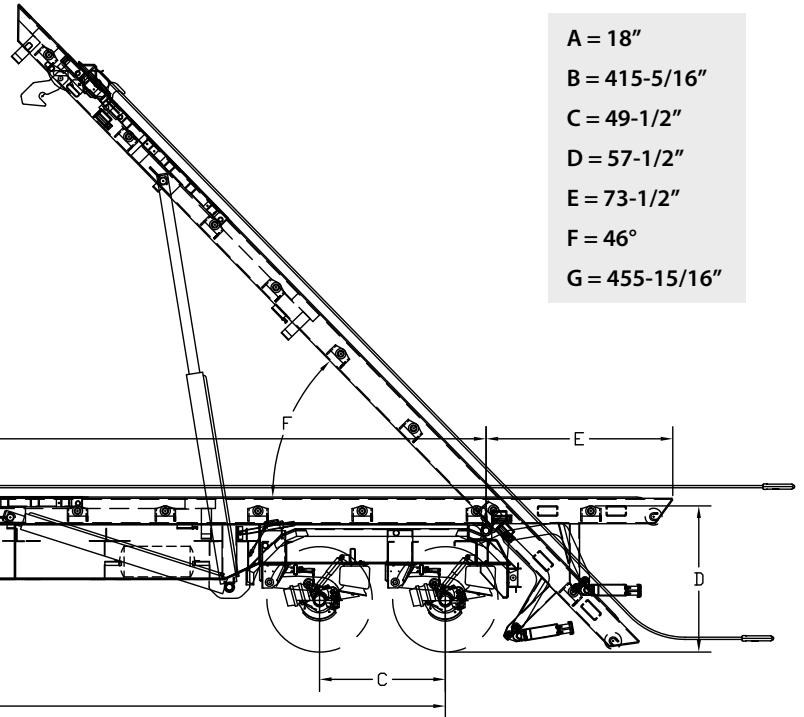


Options

- ▶ Lift axle
- ▶ Air ride suspension
- ▶ Tire carrier
- ▶ Wet kit
- ▶ Rear wing plate

All Galbreath products are designed to be compliant with ANSI standard container requirements.

AC-OR-416 TRAILER HOIST



A = 18"
 B = 415-5/16"
 C = 49-1/2"
 D = 57-1/2"
 E = 73-1/2"
 F = 46°
 G = 455-15/16"

GENERAL TRAILER INFO

Overall Trailer Length	(G + E) = 44' x 2"
Weight	17,150 lbs
Dump Angle	(F) 46°
Ratchet / Hold Down System	Ratchet
Container Range	18' – 24'
Hoist Capacity	60,000 lbs (50,000 lbs HH Models)
GVWR Rating	80,000 lbs (50,000 lbs HH Models)
Rollers / Sheaves	All Greasable
Lighting	LED

STRUCTURES

Hoist Frame	10" x 4" x 3/8" Rect. Tubing ASTM A500 Grade C (3/8" EX)
Trailer Frame	22" x 36# W.F. I-Beam A36
Cable	7/8", 6 x 37 EXIWRC Regular Right Lay

AXLES, SUSPENSION AND BRAKING

Axles Rating	25,000 lbs
Suspension Rating	45,000 lbs Henway ATR
Landing Gear	200,000 lbs, 2 Speed
Tires	11R x 22.5 16 Ply
Wheels	10 Hole Hub Piloted
Fenders	Full Steel 12-Gauge Front, 14-Gauge Rear
Brake System	ABS

HYDRAULICS

Lift Cylinders	6" x 4-1/2" x 72" DA
Winch Cylinders	6" DA, 3" Ground, Polished & Chrome
Working Pressure	2,000 PSI
Maximum Pressure	2,500 PSI
Hoses	SAE 100R2 or Greater for 5,000 PSI Max, 2,500 PSI Working
Plumbing	Hydraulic Steel Tubing



Tel: 877.468.9278 | sales@wastequip.com | www.galbreathproducts.com

Galbreath is a Wastequip brand. Wastequip is the leading North American manufacturer of waste and recycling equipment for collecting, processing and transporting recyclables and solid or liquid waste. © 2016 Wastequip, all rights reserved. Specifications subject to improvement without notice. Equipment displayed should be operated by properly trained personnel. Operators should become familiar with OSHA, ANSI and any other applicable standards or laws for using this equipment. Improper use, misuse, or lack of maintenance could cause injury to people and/or property. Photos used in the literature are illustrative only. We assume no liability or responsibility for proper training/operation of equipment not manufactured by Wastequip. We reserve the right to make changes at any time without notice. Information contained within this literature is intended to be the most accurate available at time of printing.

GAL029-022016