

U3-DPHK-160 DOUBLE-PIVOT HOOK HOIST

Galbreath[®]

Tel: 800.285.0666 | sales@wastequip.com
www.galbreathproducts.com

Hook hoists offer superior versatility, maneuverability, and value. They're ideal for the waste, recycling, landscaping, construction, and roofing industries.

- » **30,000 lb. capacity**
- » **Tandem axle**



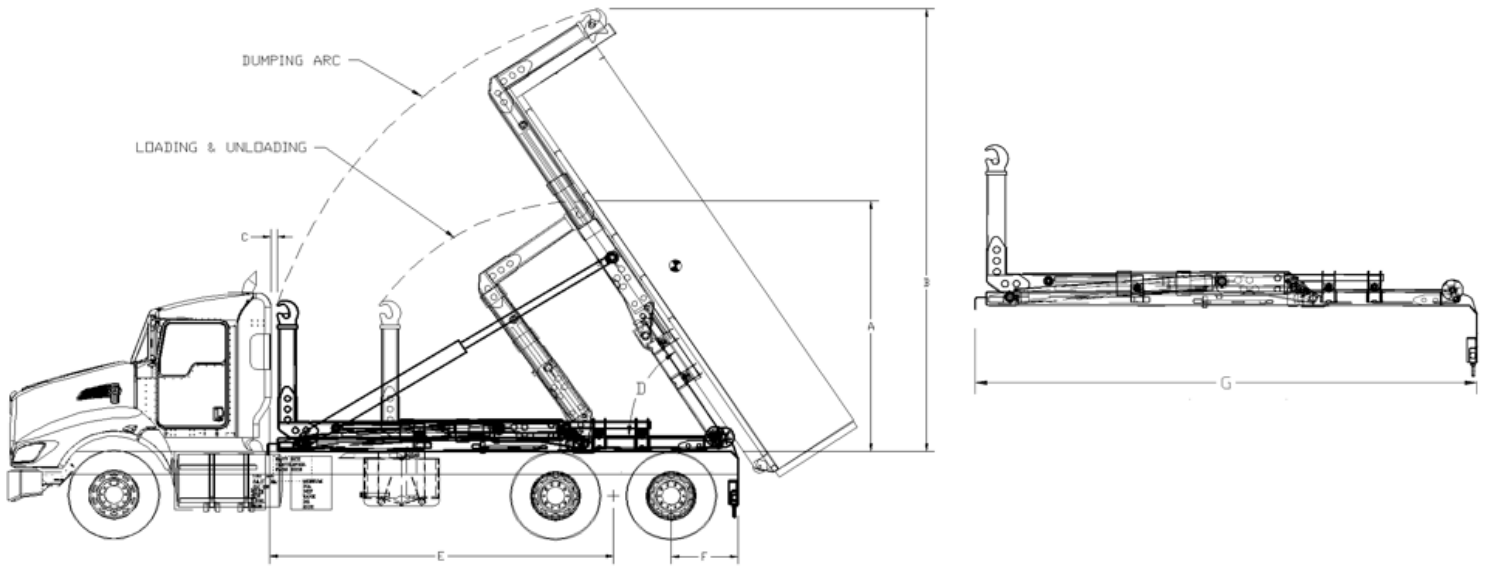
Standard Features

- 2-part epoxy paint (black)*
- All pivot joints have steel bushings and grease fittings
- Outboard-supported upper lift shaft
- Mechanical interlock between tail and pivot assembly
- Outside controls
- Full-width bumper with recessed lights
- Rubber-mounted sealed lights
- Inside air-operated controls
- Steel reservoir with 10 micron air breather
- 3 micron in-tank return filter and filler
- Sight gauge with temperature gauge

* Factory mount models

All Galbreath products are designed to be compliant with ANSI standard container requirements.

U3-DPHK-160 DOUBLE-PIVOT HOOK HOIST



FEATURES	U3-DPHK-160
Recommended container length ¹	14'-18'
Rated capacity ²	30,000 lbs.
A - Maximum hook height above truck frame loading/unloading ³	120-5/16"
B - Maximum hook height above truck frame dumping	212-3/8"
C - Cab to hoist	3"
D - Raised angle	57°
E - Cab to axle	160-5/8"
F - After frame	31"
G - Hoist length ⁴	219-1/2"
Lift cylinders	6" x 3-1/2" x 78"
JIB cylinder	4" x 2-1/2" x 48"
Approximate weight	5,630 lbs.

CYCLE TIMES AT APPROXIMATELY 37.5 GPM	
Extending dump (60°)	31 seconds
Retracting dump	21 seconds
Extending JIB	5 seconds
Retracting JIB	3 seconds

- 1 When recommending container lengths, weight distribution, dump angle, and overhang are factors.
- 2 Factory-tested with recommended container length and water level load.
- 3 Total maximum height will depend on container. Consult engineering for clearance.
- 4 Consult engineering for longer lengths.

FEATURES	U3-DPHK-160
Cross members	Structural tubing 62,000 lbs. min tensile A500 Grade C
Main frame	Structural tubing 62,000 lbs. min tensile A500 Grade C
JIB frame	A514 T-1 & structural tubing A500 Grade C
Pivot tube	A514 T-1 100,000 PSI minimum yield
Pickup hook	A514 T-1 100,000 PSI minimum yield
Lift cylinder pins	2-3/4 solid (91,000 lb. tensile)
Hinge shaft	2" solid (64,000 lb. tensile)
JIB bearing	A514 T-1 100,000 PSI minimum yield

HYDRAULIC SYSTEM	
2-spool air-operated sectional valve with manual controls outside	
6" x 3-1/2" x 78" lift cylinders with built-in counter-balance valves	
4" x 2-1/2" x 48" JIB cylinder with built-in counter-balance valves	
Operating pressure: 3,500 PSI	

MINIMUM TRUCK SPECIFICATIONS	
Front axle	12,000 lbs. (with power steering)
Rear axle	26,000 lbs.
50,000 PSI chassis frame (or more)	Minimum section modulus = 17-1/2 in ³



Tel: 877.468.9278 | sales@wastequip.com | www.galbreathproducts.com

Galbreath is a Wastequip brand. Wastequip is the leading North American manufacturer of waste and recycling equipment for collecting, processing and transporting recyclables and solid or liquid waste. © 2016 Wastequip, all rights reserved. Specifications subject to improvement without notice. Equipment displayed should be operated by properly trained personnel. Operators should become familiar with OSHA, ANSI and any other applicable standards or laws for using this equipment. Improper use, misuse, or lack of maintenance could cause injury to people and/or property. Photos used in the literature are illustrative only. We assume no liability or responsibility for proper training/operation of equipment not manufactured by Wastequip. We reserve the right to make changes at any time without notice. Information contained within this literature is intended to be the most accurate available at time of printing.