

SLCH-93 / 113 LOADED CONTAINER HANDLER



Tel: 800.285.0666 | sales@wastequip.com
www.galbreathproducts.com



SLCH-93 shown above with aluminum toolbox option.

Galbreath's Loaded Container Handler (SLCH) transports loaded containers at highway speeds safely, efficiently, and cost-effectively.

- » Increased speeds
- » Lower overall height
- » CNG and diesel compatible
- » 8,000 lb. capacity



Benefits

Improved Safety

- Container bottom is fully supported by dual rails with replaceable wear strips for added safety and stability
- Container sits over rear axle for improved safety and handling, and transfers more weight to the steer axles
- Rear lights are visible during transport, eliminating need for additional light bars or flagging
- Ratchet straps provide added container security
- Container remains level during transport to prevent waste spillage
- Easily accessible for trailer hookup in pintle applications
- Designed for low overhead clearance

Cost Savings and Efficiency

- Allows smaller trucks to be used for container pick-up, resulting in fuel savings and reduced emissions versus using a full-sized front-end loader garbage truck
- Improved aerodynamic design reduces drag

* **Factory mount models**

- Joystick controls inside the cab for easy one-handed operation
- Can be used with front or rear-load containers
- Lightweight design
- Integrated oil reservoir on -113 model; side mounted on -93 model

Standard Features

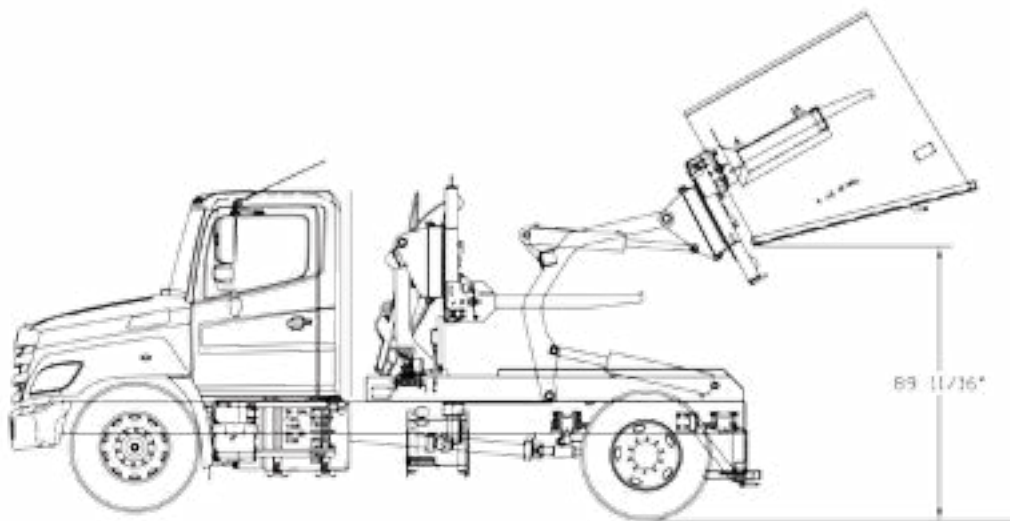
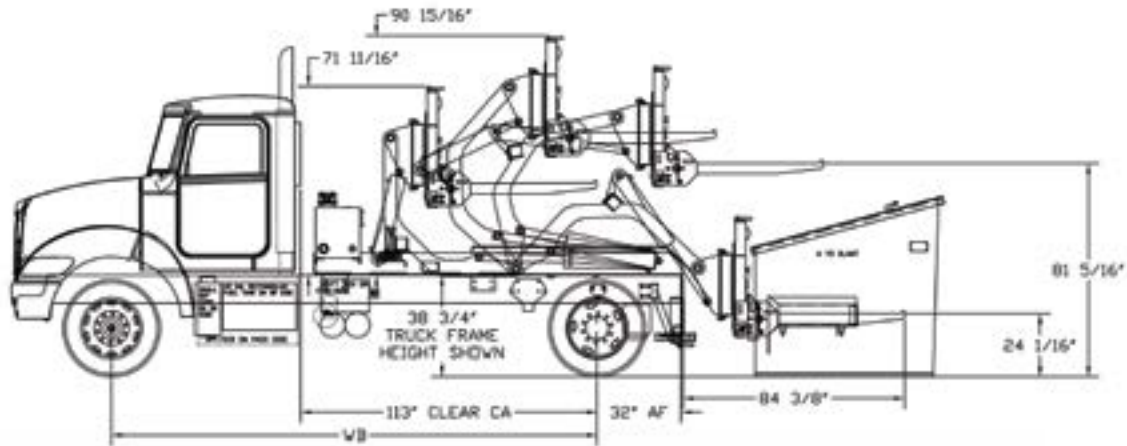
- Poly half-round fenders
- Inside joystick control
- Pintle / Reese hitch-ready rear apron / bumper with LED lighting
- Ratchet retainer straps
- Rear-load attachment
- Back-up alarm
- Hoist-up alarm with signal light
- Plug-and-play wiring
- Rotates to fully dump container into standard 30-yard open-top
- 20-gallon hydraulic reservoir with 3 micron return filtration

- Outside 3 spool manual controls
- Poly container bumper stops
- Direct-mount hydraulic gear pump (23 gpm at 1,500 rpm, operating pressure 3,800 psi)
- One-year warranty

Available Options

- Various toolbox styles and sizes
- PTO for automatic or manual transmissions
- Work lights
- Steel, aluminum or poly fenders
- Camera kit
- Air compressor for non-air trucks
- Factory mounting
- Lid holder and hinge rod holder
- Pintle hook and Reese style hitch
- Toter cart carrier behind cab
- Auto load with remote*

SLCH-93 / 113 LOADED CONTAINER HANDLER



Specifications

Capacity: Up to 8,000 lbs.* see weight chart on next page

Stacking capability:
Various sizes (example: two 4-yard or two 2-yard containers)**

Capable of dumping into standard 30-yard open-top container

ANSI compliant container sizes (capacity):

Front load (FEL): 2 to 10 yard

Rear load (REL): 2 to 6 yard

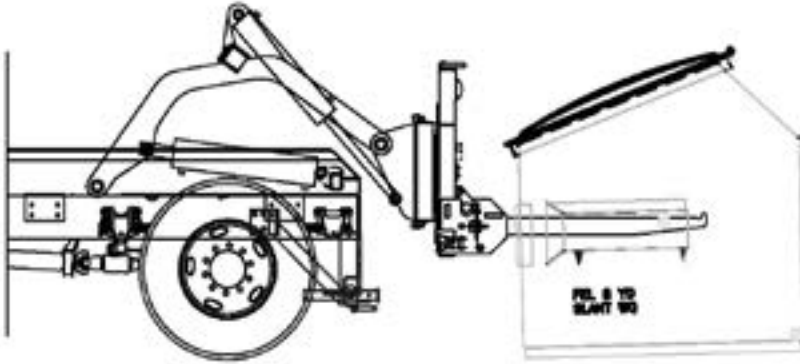
* When using ANSI compliant front load or rear load containers in good working condition, not to exceed container manufacturer's load capacity rating or truck chassis center of gravity limitation. Contact Galbreath or your local Galbreath dealer for more information.

** On-road. Capable of carrying more containers for in-yard use.

Product and recommended chassis specifications

	SLCH-93	SLCH-113
Clear CA	93"	113"
Unmounted weight	4,960 lbs.	5,100 lbs.
Wheelbase	163" min	183" min.
After frame	31 1/2"	31 1/2"
Adding Toter cart platform	Add 3' to CA	Add 3' to CA
Adding behind the cab storage	Add to CA	Add to CA
Front axle capacity	10,000 lbs.	10,000 lbs.
Rear axle capacity	15,000 lbs.	15,000 lbs.
Chassis frames	50,000 psi or more	50,000 psi or more
Section modulus	15.5 in ³	15.5 in ³
Dual rear wheels	Recommended	Recommended

Gross weight lifted and rotated* by container size



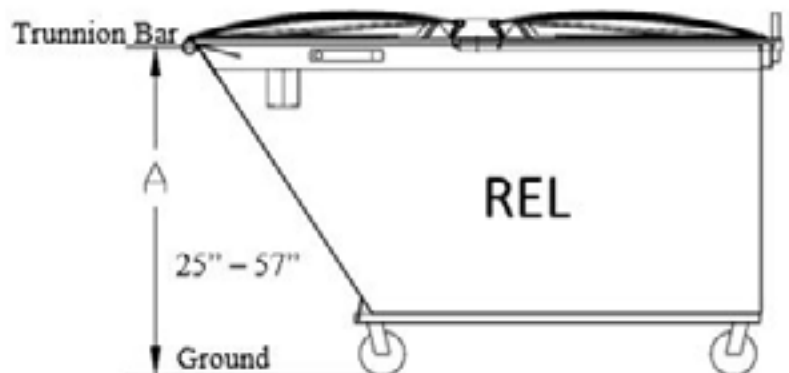
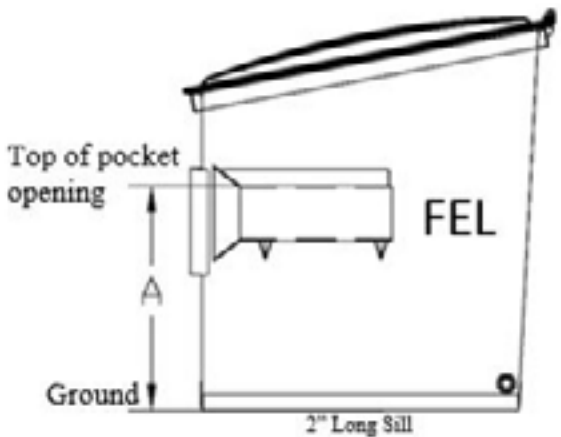
SIZE	FRONT LOAD	COG	REAR LOAD	COG
1 yard	8,000 lbs.	133"	6,000 lbs.	126"
2 yard	8,000 lbs.	138"	6,000 lbs.	135"
3 yard	7,400 lbs.	140"	6,000 lbs.	158"
4 yard	7,100 lbs.	145"	4,000 lbs.	165"
6 yard	6,700 lbs.	153"	4,000 lbs.	185"
8 yard	6,300 lbs.	161"		
10 yard	5,800 lbs.	173"		

* Only front load containers can be rotated. Minimum chassis requirement 25,000 (10,000 front and 15,000 rear).

Based on ANSI compliant containers of standard construction within manufacturer's maximum load and weight rating.

Based on truck with 4,910 lbs. front and 183"WB with static water level loads.

The SLCH models have been optimized for use with 25" pocket heights on FEL type ANSI compliant containers





Tel: 800.285.0666 | sales@wastequip.com
www.galbreathproducts.com



Galbreath is a Wastequip brand. Wastequip is the leading North American manufacturer of waste and recycling equipment for collecting, processing and transporting recyclables and solid or liquid waste.
© Wastequip 2017 All rights reserved. Specifications subject to improvement without notice. Equipment displayed should be operated by properly trained personnel. Operators should become familiar with OSHA, ANSI and any other applicable standards or laws for using this equipment. Improper use, misuse, or lack of maintenance could cause injury to people and/or property. Photos used in the literature are illustrative only. We assume no liability or responsibility for proper training/operation of equipment not manufactured by Wastequip. We reserve the right to make changes at any time without notice. Information contained within this literature is intended to be the most accurate available at time of printing.

GAL033-052017